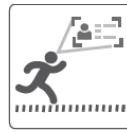


4MP 4-Inch 25X Smart Tracking



VTD-8443IS (PE/25M/AR10)



Smart Tracking



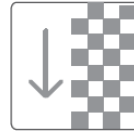
Starlight



True WDR



Auto Day/Night



3D DNR



PoE+



IP66



H.265



System

VTD-8443IS(PE/25M/AR10) 4MP 25x Network IR speed dome camera is an entry level AI detection and tracking PTZ for wide range of intrusion and perimeter protection applications. Upon detecting illegal intrusion, the camera will trace it until the object leave out of restricted regions. The image sub-system is re-designed and fine-tuned for more reliable AI analysis and recognition results. This model could recognize max 30 objects per second, trace and zoom fit in pictures, recognize human faces up to 380m distance in most scenarios, or record human behaviors up to 1900m.

Key Spec:

- 1/2.5" progressive scan CMOS
- Up to 2560×1440 resolution
- Mini illumination:
 - Color: 0.01 lux @ (F1.65 AGC ON)
 - B/W: 0.002 lux@ (F1.65 AGC ON)
 - 0 Lux with IR
- 25x optical zoom, 16x digital zoom
- 120 dB WDR, 3D DNR, Smart IR
- Up to 100m IR distance
- Smart H.265/H.264 video compression
- 1.0 Tops Deep-learning Engine
- Smart tracking of human/vehicle
- Smart detection and perimeter protection
- IP66,-30°C~55°C, ADC12 + PC/GF
- PoE+ (802.3.at, class 3) and DC12V
- ONVIF, API and SDK

Application:

Wide range area intrusion, perimeter protection and alarm, such as parks, scenic spots, stations and venues, industrial park.

SPECIFICATION:

Camera Module		VTD-8443IS
Image sensor	1/2.5" progressive scan CMOS	
Mini. Illumination	Color: 0.01Lux @ (F1.65, AGC ON); B/W: 0.002Lux @ (F1.65, AGC ON); 0Lux with IR	
Image setting	Flip, Mirror, Saturation, Brightness, Contrast, Sharpness, AGC, and AWB adjusted by client software/browser	
Shutter Speed	1/1 s – 1/10,000 s	
White Balance	Auto/Manual/Indoor/Outdoor	
Gain	Auto/Manual	
Day & Night	IR Cut filter	
Digital Zoom	16x	
Privacy Mask	4 Programmable privacy masks	
3D DNR	Auto/Manual	
BLC	Yes	
HLC	Yes	
WDR	120 dB	
Defog	Electronic	
Regional Exposure	No	
Picture overlay	Logo picture could be overlaid on video with 128x128pixels,24bits BMP format	
Lens		
Focus length	f=4.8-120mm lens,25x optical	
Zoom Speed	Approx. 3.6s (optical zoom, wide-tele)	
Field of View	Horizontal:55° to 2.4°(wide-tele) Vertical: 33° to 1.4°(wide-tele) Diagonal: 61.5° to 2.8°(wide-tele)	
Working distance	wide: 1.0m ~ INF; tele: 1.5m ~ INF	
Aperture Range	F1.65 ~ F3.8 (wide-tele)	
PTZ		
Pan Range	360°endless	
Pan speed	Configurable, from 0.1~80°/s; Preset speed: 80°/s	
Tilt Range	From -5° to 90°	
Tilt Speed	Configurable, from 0.1°~ 80°/s, Preset speed: 80°/s	
Proportional Zoom	Yes	
Preset	300	
Cruise	8 cruises, up to 16 presets for each cruises	
Track	4 tracks, record time over 3 minutes for each track	
Power off memory	Support	
Action mode	Preset/Cruise/Trace/Auto Scan/Random Scan	
3D Positioning	Support	
PTZ Position Display	Support	
Schedule Task	Preset/Cruise/Trace/Random Scan/Boundary Scanning /Dome reboot	
IR		
IR Distance	100m	
Smart IR	Yes	

Network	
Max Resolution	2560x1440
Main stream	2560x1440, 2048x1536, 1920x1080, 1280x960,1280x720 (25/30fps)
Sub stream	25fps (704 × 576, 640 × 480, 352 × 288) 30fps (704 × 480, 640 × 480, 352 × 240)
Third Stream	25fps (1920 × 1080, 1280 × 960, 1280 × 720, 704 × 576, 640 × 480, 352 × 288) 30fps (1920 × 1080, 1280 × 960, 1280 × 720, 704 × 480, 640 × 480, 352 × 240)
SVC	Yes
Video compression	Smart H.265/H.264/MJPEG
Audio compression	G.711 A/U
Audio Enhancement	No
Protocols	HTTP, HTTPS, IPv4/IPv6, 802.1x, QoS, FTP, SMTP, UPnP, SNMP,DNS, DDNS, NTP, RTSP, RTCP, RTP, TCP/IP, UDP, IGMP, ICMP,DHCP, PPPoE
Simultaneous live view	Up to 6 channels
User / Host	Up to 16 users, 3 levels: Administrator, Advanced User and Normal User
Security Measures	User authentication (ID and PW), Host authentication (MAC address); HTTPS encryption, IEEE802.1x port-based network access control; IP address filtering
Smart Features	
Basic event	Motion detection, exception (network disconnected, IP address conflict, SD full, SD error) ,
Face recognize	Default off, max 30 human faces per second.
Face compare	Default off
People Density	Not support by this version
Smart Detection	Intrusion detection, Line crossing detection, Region entrance detection, Region exiting detection, Object removal detection(object left/missing), Scene change detection, Video blur detection, Video color cast detection Support alarm triggering by human or vehicle, filtering flag/animal.
Smart Tracking	Manual Tracking, Auto Tracking (human or vehicle by software setting)
System Integration	
Alarm Interface	None
Audio Interface	None
Alarm Linkage	Alarm actions, such as Preset, Cruise, Track, Memory Card Video Record, Trigger Recording, Notify Surveillance Center, Upload to FTP/Memory Card, Send Email, etc.
Network Interface	1 RJ45 10M/100M Adaptive Ethernet (Support PoE 802.3.at)
CVBS	None
RS 485	None
Storage	On-Body memory card slot, support microSD/SDHC/SDXC, up to 256GB
API	ONVIF, support TVT SDK and third-party management platform
Client	TVT N9000 1.4.5, TVT NVMS 2.0; and the third-party client
Web Browser	IE8-11, Chrome41.0-44, Firefox30.0-51, Safari8.0-11
General	
Power	DC12V or PoE+ (802.3.at, class 3), (Max 22W, include IR on, Heater on, Fan working)
Working condition	-30°C ~ 55°C (-22°F ~ 131°F),90%RH less (non-condensing),Cold start at - 20°C
Storage condition	-40°C ~ 65°C ; ≤ 95% RH
Protection	IP66, 4000V Lightning Protection, Surge Protection and Voltage Transient Protection
Material	Aluminum Alloy;PC+GF10%
Dimensions	Φ 173mm × 247mm (6.8" Φ × 9.7")
Weight	Approx. 2.1 Kg(13.22 lb.)

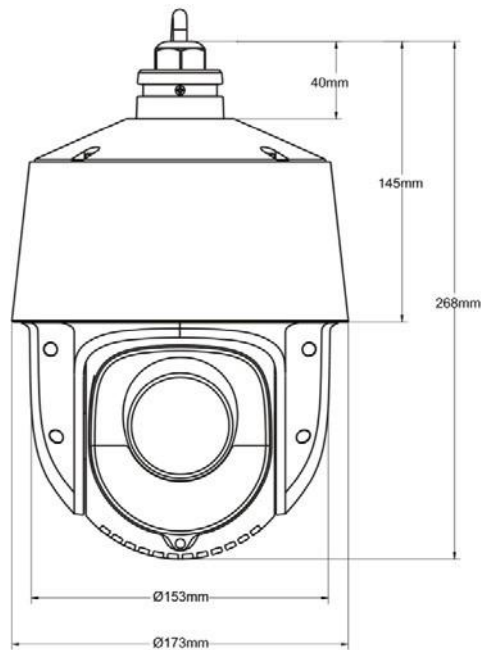
Certification	IP66,ROHS,CE,FCC,BIS,UL
Active	Hi3516DV300+AR0522 Chipsets

DORI table

It is calculated based on the camera sensor specification and the criteria given by EN 62676-4: 2015.

DORI	Detect (human behaviours)	Observe (as Court level evidence)	Recognize (face ID, CPL)	Identify (human and his photo)
Define	25Pixels /meter	63Pixels/meter	125Pixels/meter	250pixels/meter
Distance	1900m	760m	380m	190m

Dimensions:



Ordering information

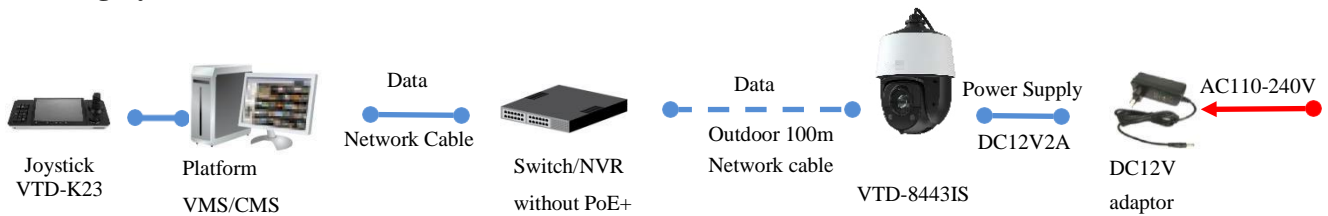
Camera	VTD-8443IS(PE/25M/AR10)	4-inch 4MP 25X Network 100m IR Speed Dome Camera, Smart Tracking, DC12V/PoE+, IP66,-30°C~55°C,Not include Power adaptor and Bracket
--------	-------------------------	---

Mounting Brackets Options:

VTD-YZJ0808 Wall mount	VTD-YZJ0808+YZJ0501 Pole Mount	VTD-YZJ0808+YZJ060 Corner Mount	VTD-YZJ0807 Pendant mount	VTD-YZJ0701E In-ceiling mount

Connection Options:

● Legacy connection mode



● 30W High power PoE Mode

(Also called PoE+ mode or 802.3.at,class 3)

