

## 2MP 4-Inch 25X Smart Tracking



VTD-8423IS (PE/25M/AR15)



Smart Tracking



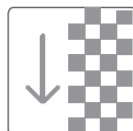
Starlight



True WDR



Auto Day/Night



3D DNR



PoE+



IP66



H.265



### System

VTD-8423IS(PE/25M/AR15) 2MP 25x Network IR speed dome camera is an entry level AI detection and tracking PTZ for wide range of intrusion and perimeter protection applications. Upon detecting illegal intrusion, the camera will trace it until the object leave out of restricted regions. The image sub-system is re-designed and fine-tuned for more reliable AI analysis and recognition results. This model could recognize max 15 objects per second, trace and zoom fit in pictures, recognize human faces up to 320m distance in most scenarios, or record human behaviors up to 1600m.

### Key Spec:

- 1/2.8" progressive scan CMOS
- Up to 1920×1080 resolution
- Mini illumination:
  - Color: 0.005 lux @ (F1.6 AGC ON)
  - B/W: 0.001 lux@ (F1.6 AGC ON)
  - 0 Lux with IR
- 25x optical zoom, 16x digital zoom
- 120 dB WDR, 3D DNR, Smart IR
- Up to 150m IR distance
- Smart H.265/H.264 video compression
- 0.5Tops Deep-learning Engine
- Smart tracking of human/vehicle
- Smart detection and perimeter protection
- IP66,-30°C~55°C, ADC12 + PC/GF
- PoE+ (802.3.at, class 3) and DC12V
- ONVIF, API and SDK

### Application:

Wide range area intrusion, perimeter protection and alarm, such as parks, scenic spots, stations and venues, industrial park.

## SPECIFICATION:

<b>Camera Module</b>	
Image sensor	1/2.8" progressive scan CMOS
Mini. Illumination	Color : 0.005Lux @ (F1.65 , AGC ON) ; B/W : 0.001Lux @ (F1.65 , AGC ON); 0Lux with IR
Image setting	Flip, Mirror, Saturation, Brightness, Sharpness, AGC, and AWB adjusted by client software/browser
Shutter Speed	1/1 s – 1/100,000 s
White Balance	Auto/Manual/Indoor/Outdoor
Gain	Auto/Manual
Day & Night	IR Cut filter
Digital Zoom	16x
Privacy Mask	No
3D DNR	Auto/Manual
BLC	Yes
HLC	Yes
WDR	120 dB
Defog	Electronic
EIS	Yes
Regional Exposure	No
Picture overlay	Logo picture could be overlaid on video with 128x128pixels, 24bits BMP format
<b>Lens</b>	
Focus length	f=4.8-120mm lens, 25x optical
Zoom Speed	Approx. 3.6s (optical zoom, wide-tele)
Field of View	Horizontal: 57.6° to 2.5° (wide-tele) Vertical: 34.4° to 1.4° (wide-tele) Diagonal: 64.5° to 2.9° (wide-tele)
Working distance	wide: 1.0m ~ INF; tele: 1.5m ~ INF
Aperture Range	F1.65 ~ F3.8 (wide-tele)
<b>PTZ</b>	
Pan Range	360° endless
Pan speed	Configurable, from 0.1~80°/s; Preset speed: 80°/s
Tilt Range	From -5° to 90°
Tilt Speed	Configurable, from 0.1°~80°/s, Preset speed: 80°/s
Proportional Zoom	Yes
Preset	360
Cruise	8 cruises, up to 16 presets for each cruise
Trace	4 traces, record time over 3 minutes for each trace
Power off memory	Support
Action mode	Preset/Cruise/Trace/Auto Scan/Random Scan
3D Positioning	Support
PTZ Position Display	Support
Schedule Task	Preset/Cruise/Trace/Random Scan/Boundary Scanning /Dome reboot
<b>IR</b>	
IR Distance	150m

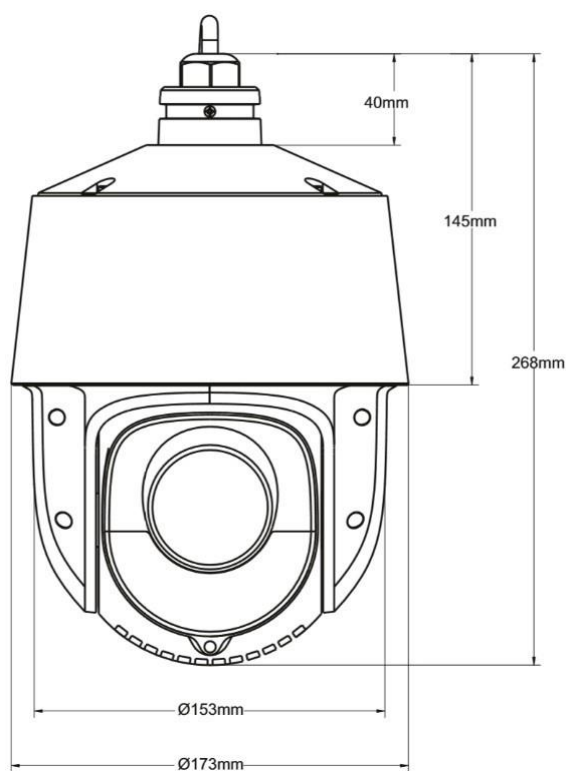
Smart IR	Yes
<b>Network</b>	
Max Resolution	1920×1080
Main stream	1920×1080, 1280×720 25/30fps
Sub stream	25fps (720P, 704 × 576, 352 × 288) ; 30fps (720P, 704 × 480, 352 × 240)
Third Stream	25fps (704 × 576, 640 × 480, 352 × 288); 30fps (704 × 480, 640 × 480, 352 × 240)
SVC	Yes
Video compression	H.265/H.264/MJPEG
Audio Enhancement	No
Protocols	HTTP, HTTPS, IPv4/IPv6, 802.1x, QoS, FTP, SMTP, UPnP, SNMP,DNS, DDNS, NTP, RTSP, RTCP, RTP, TCP/IP, UDP, IGMP, ICMP,DHCP, PPPoE
Simultaneous live view	Up to 6 channels
User / Host	Up to 16 users, 3 levels: Administrator, Advanced User and Normal User
Security Measures	User authentication (ID and PW), Host authentication (MAC address); HTTPS encryption, IEEE802.1x port-based network access control; IP address filtering
<b>Smart Features</b>	
Basic event	Motion detection, video exception alarm, SD card full, SD card error
Face recognize	Default off, max 15 human faces per second.
Face compare	Default off
People Density	Not support by this version
Smart Detection	Intrusion detection, Line crossing detection, Region entrance detection, Region exiting detection, Scene change detection, target counting, Support alarm triggering by human or vehicle, filtering flag/animal.
Smart Tracking	Manual Tracking, Auto Tracking (human or vehicle by software setting)
<b>System Integration</b>	
Alarm Interface	None
Audio Interface	None
Alarm Linkage	Alarm actions, Memory Card Video Record, Trigger Recording, Upload to FTP/Memory Card, Send Email, etc.
Network Interface	1 RJ45 10M/100M Adaptive Ethernet (Support PoE 802.3.at)
CVBS	None
RS 485	None
Storage	On-Body memory card slot, support microSD/SDHC/SDXC, up to 256GB
API	ONVIF, support TVT SDK and third-party management platform
Client	TVT N9000 1.4.5, TVT NVMS 2.0; and the third-party client
Web Browser	IE8-11, Chrome41.0-44, Firefox30.0-51, Safari8.0-11
<b>General</b>	
Power	DC12V or PoE+ (802.3.at, class 3), (Max 22W, include IR on, Heater on, Fan working)
Working condition	-30°C ~ 55°C (-22°F ~ 131°F),90%RH less (non-condensing),Cold start at - 20°C
Storage condition	-40°C ~ 65°C ; ≤ 95% RH
Protection	IP66, 4000V Lightning Protection, Surge Protection and Voltage Transient Protection
Material	Aluminum Alloy;PC+GF10%
Dimensions	Φ 173mm × 247mm ( 6.8" Φ × 9.7")
Weight	Approx. 2.1 Kg (13.22 lb.)
Certification	IP66,ROHS,CE,FCC, BIS, UL
Active	Hi3516CV500+IMX462 Chipsets

## DORI table

It is calculated based on the camera sensor specification and the criteria given by EN 62676-4: 2015.

DORI	Detect (human behaviours)	Observe (as Court level evidence)	Recognize (face ID, CPL)	Identify (human and his photo)
Define	25Pixels /meter	63Pixels/meter	125Pixels/meter	250pixels/meter
Distance	1600m	635m	320m	160m

## Dimensions:



## Ordering information

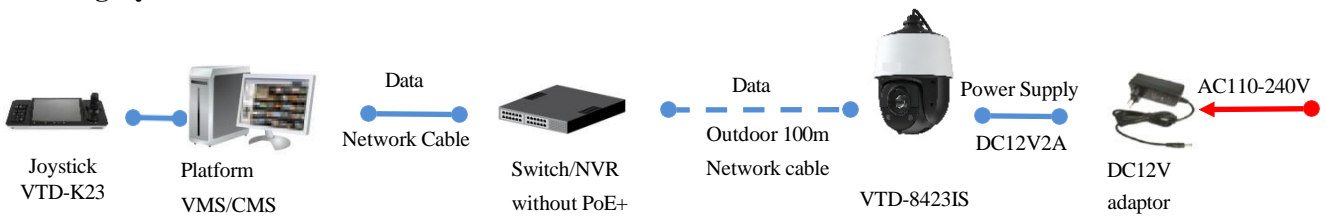
Camera	VTD-8423IS(PE/25M/AR15)	4-inch 2MP 25X Network 150m IR Speed Dome Camera, Smart Tracking, DC12V/PoE+, IP66,-30°C~55°C,Not include Power adaptor and Bracket
--------	-------------------------	---

## Mounting Brackets Options :

VTD-YZJ0808 Wall mount	VTD-YZJ0808+YZJ0501 Pole Mount	VTD-YZJ0808+YZJ0601 Corner Mount	VTD-YZJ0807 Pendant mount	VTD-YZJ0701E In-ceiling mount

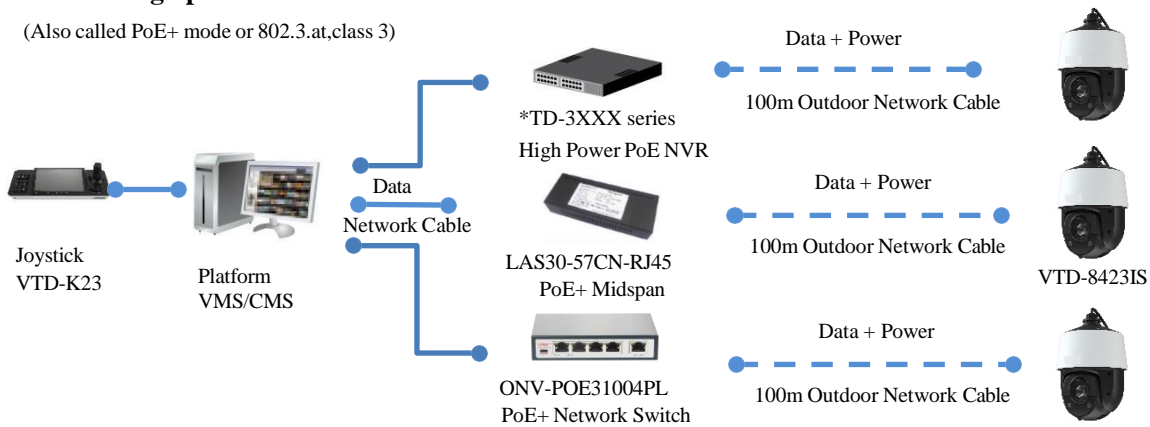
## Connection Options :

### ● Legacy connection mode



### ● 30W High power PoE Mode

(Also called PoE+ mode or 802.3.at,class 3)



\*All pictures and specifications are for reference only and are subject to change without prior notice.