

4/8 CH NVR

8MP/6MP/5MP/4MP/3MP/1080P/720P HD NVR



VTD-3100B1H



HD Output

HD IPC

DDNS

Network

PTZ

Audio

MIC

Mobile

CMS

USB

Mouse

E-mail

STD

VCA



VTD-3100B1H series supports 4/8 CH 8MP/6MP/5MP/4MP/3MP/1080P/960P/720P high definition IP video input, which adopts the most advanced SOC technique to ensure high definition recording in each channel and realize outstanding robustness of the system.

VTD-3100B1H series supports 4/8 CH IP input, simultaneous 4/8 CH playback, and 4K ultra high definition display. The series of product can meet different security requirements of home, financial, commerce, enterprise, transportation and government, etc.

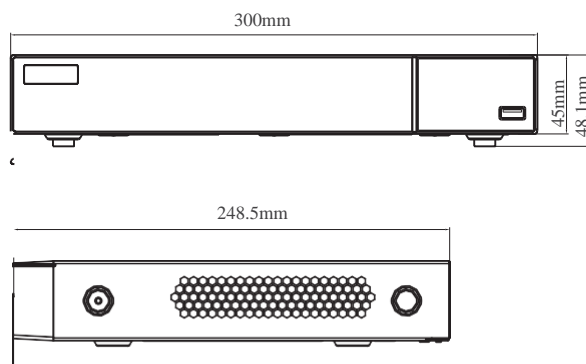
Specifications

Model		VTD-3104B1H	VTD-3108B1H
System	OS	Embedded Linux	
Video	Network Input	4 CH IPC input	8CH IPC input
	Network Input Resolution	8MP/6MP/5MP/4MP/3MP/1080P/1280×1024/960P/720P/960H/D1/CIF	
	Output	HDMI × 1 : 3840 × 2160 / 1920 × 1080 / 1280 × 1024/ 1024 × 768 VGA: 1920 × 1080 / 1280 × 1024/ 1024 × 768	
	Compression	H.265S / H.265+ / H.265 / H.264	
Audio	Network Input	4 CH IPC audio input	8 CH IPC audio input
	2-way Audio	RCA × 1	
	Local Output	RCA × 1	
	Compression	G.711(U/A)	
Record	Record Stream	Dual stream recording	
	Resolution	8MP/6MP/5MP/4MP/3MP/1080P/1280×1024/960P/720P/960H/D1/CIF	
	Frame Rate	NTSC:30fps; PAL:25fps	
Playback	Simultaneous Playback	Max. 4 CH	Max. 8 CH
	Search	Time slice / time / event / tag search	
	Smart Search	Highlighted color to display the camera record in a certain period of time, different colors refers to different record events	
	Function	Play, pause, FF, FB, digital zoom, etc.	
Decoding Capability	Live View/ Playback	1CH 8MP; 4CH 1080P	
Alarm	Mode	Manual, sensor, motion, exception, smart events	
	Input	Support IPC alarm input	
	Output	Support IPC alarm output	
	Triggering	Record, snap, preset, e-mail, etc.	
Network	Interface	RJ 45 1000Mbps × 1	
	Protocol	TCP / IP, PPPoE, DHCP, DNS, DDNS, UPnP, NTP, SMTP, HTTP, HTTPS, 802.1x, SNMP, RTSP, ONVIF, etc.	
	Incoming/ Outgoing Bandwidth	40/40 (Mbps)	80/80 (Mbps)
	Client Connection	Max. 10 users access	
LPR	Plate Recognition	Yes	
Mobile Device	OS	iOS, Android	
Storage	HDD Interface	SATA3.0 × 1, max 8T	
Backup	Local Backup	U disk, USB mobile HDD	
	Network Backup	Yes	
Port	USB	USB 2.0 × 2	
	Remote Controller	Optional	
Others	Power Supply	DC 12V/1.5A	
	Consumption	≤ 10W (without HDD)	
	Dimensions (mm)	300 × 249 × 45 (W × D × H)	
	Working Environment	-10 ~ 50°C, 10% ~ 90% humidity	
	Certificate	CE, FCC,UL,BIS	
Environmental Protection	Complies with Directive EU RoHS, REACH and WEEE		

Features

- Support 4/8CH 8MP/6MP/5MP/4MP/3MP/1080P/1280×1024/960P/720P/960H/D1/CIF IP input
- H.265S/ H.265+ / H.265/ H.264 coding
- Intuitive and user-friendly Graphic User Interface (GUI), Windows style operation by mouse
- Multi-mode recording: manual / timer / motion / sensor/smart events
- Playback : 4 /8CH simultaneous playback
- Search : time slice, time, event, tag, smart search
- Support multiple VCA (Video Content Analytics) events, such as object abandoned/missing, region intrusion, tripwire, video exception, etc.
- Support POS information overlay on live view and playback
- Express and flexible backup via USB, network and so on
- Pentaplex : preview, record, playback, backup and remote access
- DHCP, DDNS, PPPoE network protocol
- Remote control via Web Client or CMS : preview, playback, backup, PTZ and configuration
- Dual stream technology for local storage with high definition, remote network transmission and remote surveillance with mobile device
- Authorization management, log view and device status view
- 4K output, true high resolution display
- Support NAT function and QRCode scanning by mobile phones
- Powerful mobile surveillance by smart phones with iOS and Android OS

Dimensions



Rear Panel

